

## Actuators SA Series

Input shaft version, easy to fit customers servomotors  
7 sizes available

## Servoactuators SA IL Series

fitting Linearmech brushless servomotors In Line Design  
7 sizes available

## Servoactuators SA PD Series

fitting Linearmech brushless servomotors Parallel Design  
7 sizes available

## Servomotors BM Series

High efficiency and performances  
Advanced technology, compact design  
7 sizes available  
Nominal torque up to 10 Nm  
Brake motor available

## Drives Eco Series

Engineered focusing on linear performances for Automation Industry  
Fully integrated in Linearmech Linear Servo-Systems:  
Actuators + Brushless Servomotors + Drives

# Linear Servo-Systems

Actuators + Brushless Servomotors + Drives



Production by Linearmech  
100% Made In Italy



[www.linearmech.it](http://www.linearmech.it)

Linearmech S.r.l.

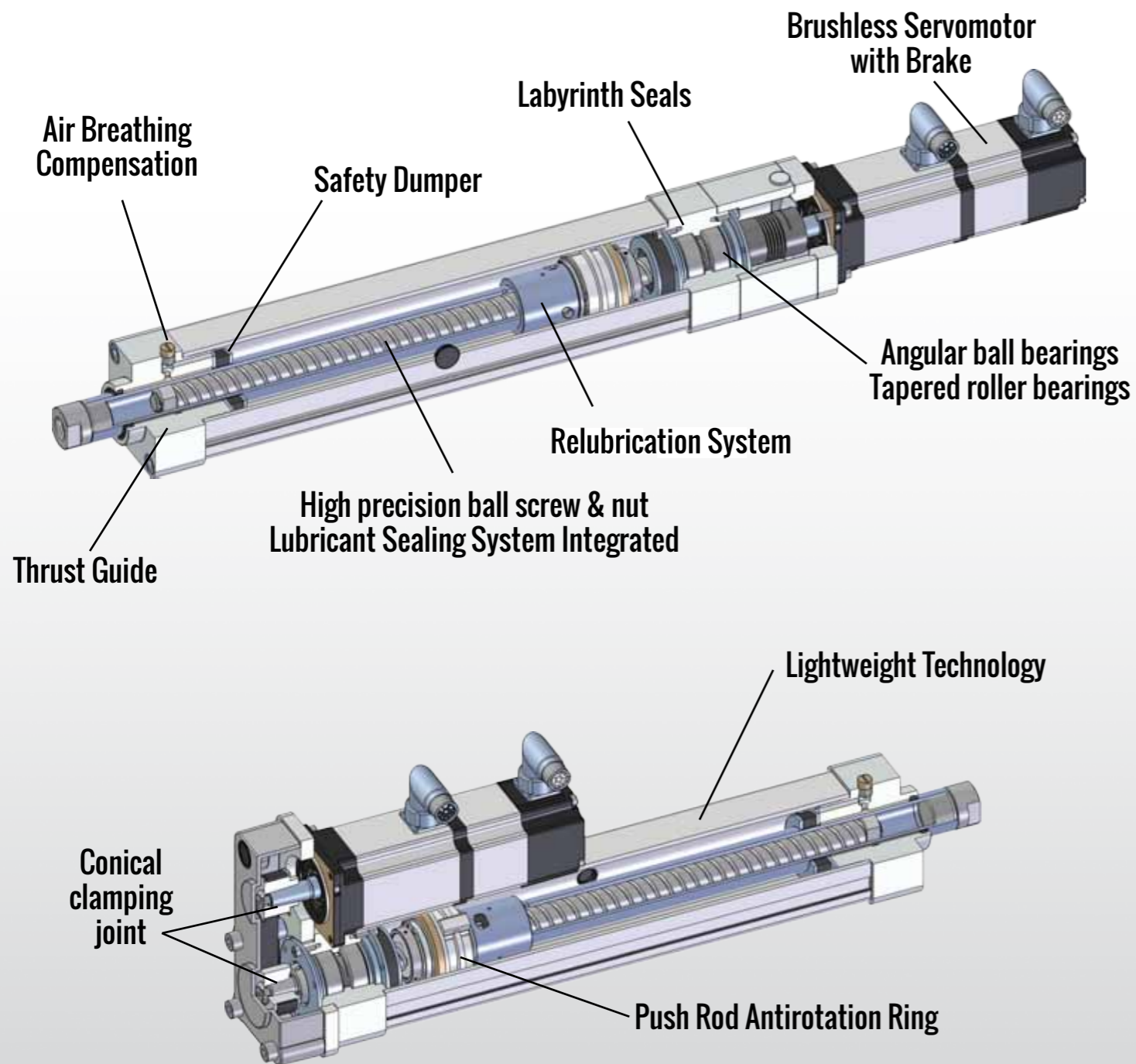
Via Caduti di Sabbiuno, 3 - 40011 Anzola dell'Emilia (Bologna) - ITALY

Tel. +39.051.6504311 - Fax +39.051.6504313 - info@linearmech.it





# Construction Technology



# Linear Servo-Systems

## Actuators + Brushless Servomotors + Drives

### Actuators SA Series

Input shaft version  
Easy to fit customers servomotors

### Servoactuators SA IL Series

fitting Linearmech Brushless Servomotors In Line Design

### Servoactuators SA PD Series

fitting Linearmech Brushless Servomotors Parallel Design

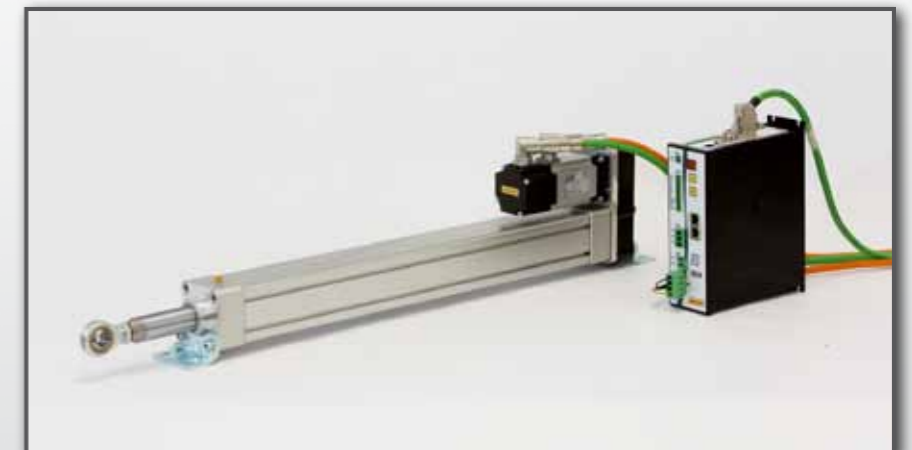
7 sizes available  
Wide choice of mounting attachments according to ISO 15552 standards  
Limit switches as option

### Servomotors BM Series

High efficiency and performances  
7 sizes available  
Nominal torque up to 10 Nm  
Motor brake as option

### Drives ECO Series

Engineered focusing on linear performances for Automation Industry and Linear Motion  
Positioning Control (SAP, MSQ, Electrical axis)  
CANopen, RS422/485, MODBUS RTU



Learn more about Linearmech Construction Technology on [www.linearmech.it](http://www.linearmech.it)

Servoactuators Series & Sizes Available	SA 0 SA 0 IL SA 0 PD	SA 1 SA 1 IL SA 1 PD	SA 2 SA 2 IL SA 2 PD	SA 3 SA 3 IL SA 3 PD	SA 4 SA 4 IL SA 4 PD	SA 5 SA 5 IL SA 5 PD	SA 6 SA 6 IL SA 6 PD
Cover profile (ISO 15552) [mm]	□ 45	□ 52	□ 65	□ 75	□ 95	□ 115	□ 140
Push rod diameter [mm]	∅ 20	∅ 22	∅ 25	∅ 30	∅ 35	∅ 50	∅ 60
Ball screw (diameter × lead) [mm]	12 × P <sub>h</sub>	14 × P <sub>h</sub>	16 × P <sub>h</sub>	20 × P <sub>h</sub>	25 × P <sub>h</sub>	32 × P <sub>h</sub>	40 × P <sub>h</sub>
Brushless servomotor [mm]	BM 45 L	BM 45 L	BM 63 S	BM 63 L	BM 82 L	BM 102 S	BM 102 L